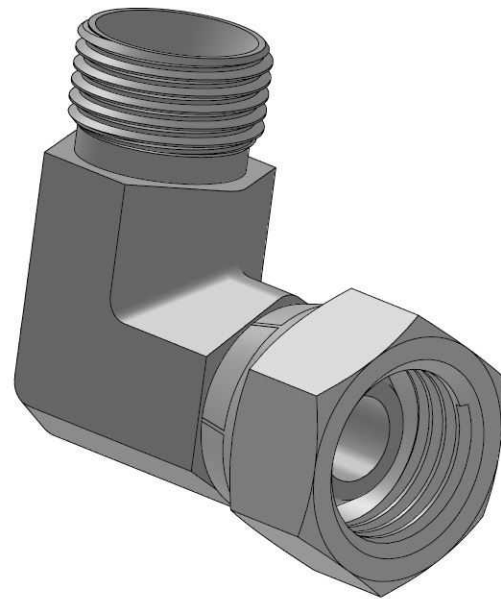
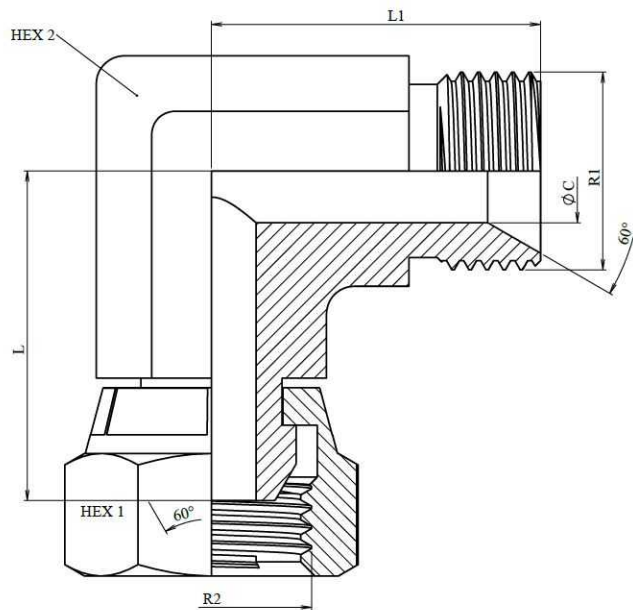


**90° Elbow BSP male-BSP swivel female forge**

Carbon steel

**1/1**

Part n°	R1	R2	L	L1	HEX 1	HEX 2	ØC
<b>S119302</b>	1/8 " BSP	1/8 " BSP	22	20	14	10	3,5
<b>S119304</b>	1/4" BSP	1/4" BSP	25	25,4	19	14	4,7
<b>S119306</b>	3/8" BSP	3/8" BSP	33	28,5	22	19	7,9
<b>S119308</b>	1/2" BSP	1/2" BSP	35	35	27	22	11
<b>S119312</b>	3/4" BSP	3/4" BSP	42	42	32	27	16
<b>S119316</b>	1" BSP	1" BSP	47	47	41	32	19
<b>S119320</b>	1"1/4 BSP	1"1/4 BSP	49	52	50	46	26
<b>S119324</b>	1"1/2 BSP	1"1/2 BSP	63	59	55	65	33,3
<b>S119332</b>	2" BSP	2" BSP	70	60	70	65	16,7